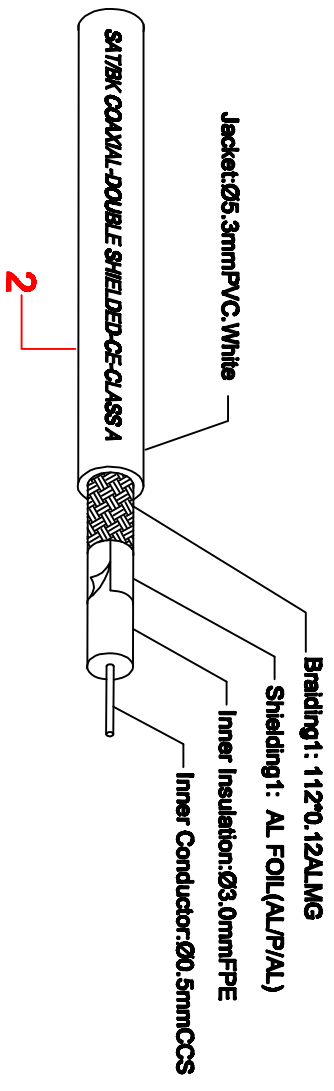
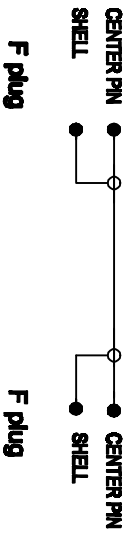


Construction



Wiring Method



1. dimensions As shown
2. Insulation resistance ≥ 100 up to 500V =
3. dielectric strength
2 KV 50Hz 2 sec.
4. TESTING: 100% OPEN AND SHORT AND MISWIRE TEST.
5. 100% RoHS COMPLIANT.

No	Item	Length	Packaging
67290	BKF 0150-G	1.5m	1/10/80/160
67291	BKF 0250-G	2.5m	1/10/80/120
67292	BKF 0350-G	3.5m	1/10/40/80
67293	BKF 0500-G	5.0m	1/10/30/80
67294	BKF 0750-G	7.5m	1/5/20/40
67289	BKF 1000-G	10	1/5/20/40

4	Copper coil	φ4.5mm H:3mm		2PCS
3	MOLDED1	PVC ASP White		2*10g
2	CABLE	φ5.3 RG59 COAXIAL CABLE White(According to the chart)		L
1	CONNECTORS1	F Plug (Gold plating 100% Shielded)		2x2k
NO	Item Name	SPEC		QTY
Edition	WEC000	Scale		
Designed by	ming hong	Item Name	F PLUG TO F PLUG COAXIAL CABLE	
Checked by		Item NO	BKF-G series cable	
Approved by		Unit:	MM	
Date	11.28.2013			