

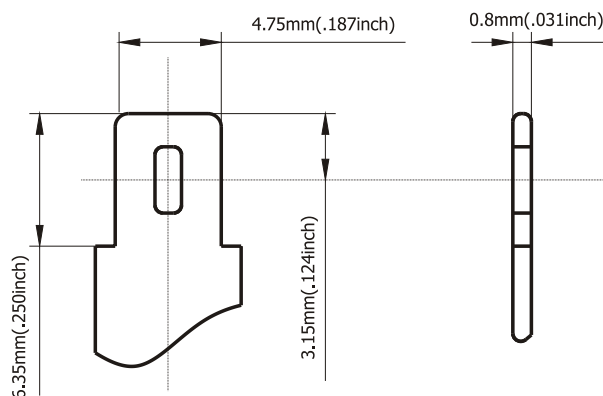
**UL 7 - 12**  
**12V 7AH**  
**STANDBY**

**Ultracell®**  
 'Quality in Every Language'

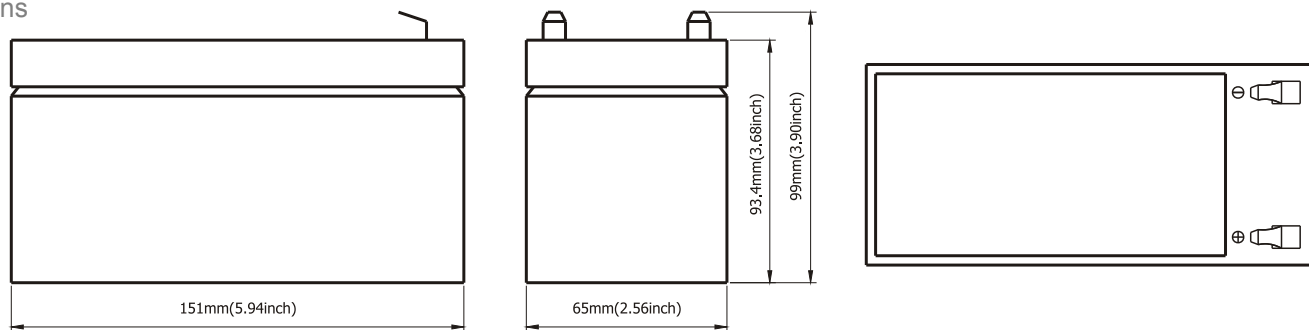
Image



Terminal Type



Dimensions



Specifications

| Battery Model                    | UL 7 - 12                                 |                      |                      |                   |
|----------------------------------|---|----------------------|----------------------|-------------------|
| Designed Floating Life           | 5 Years                                   |                      |                      |                   |
| Capacity (25°C)                  | 20HR (0.35A, 1.75V)                       | 10HR (0.665A, 1.75V) | 5HR (1.19A, 1.75V)   | 1HR (4.2A, 1.55V) |
|                                  | 7AH                                       | 6.65AH               | 5.95AH               | 4.2AH             |
| Dimensions                       | Length                                    | Width                | Height               | Total Height      |
|                                  | 151mm                                     | 65mm                 | 93.4mm               | 99mm              |
| Approx. Weight                   | 2.05Kg                                    |                      |                      |                   |
| Internal Resistance              | Fully Charged at 25°C 0.028Ohm            |                      |                      |                   |
| Self Discharge                   | 3% of capacity declined per month at 25°C |                      |                      |                   |
| Capacity Affected by Temperature | 40°C                                      | 25°C                 | 0°C                  | -15°C             |
|                                  | 102%                                      | 100%                 | 85%                  | 65%               |
| Charge Voltage (25°C)            | Cycle Use                                 |                      | Float Use            |                   |
|                                  | 14.0-15.0V (-24mV/C), max. Current: 2.1A  |                      | 13.6-13.8V (-18mV/C) |                   |

Construction

Component — Raw material  
 Positive — Lead dioxide  
 Negative — Lead  
 Container — ABS (Flame Retardent optional)  
 Cover — ABS (Flame Retardent optional)

Sealant — Epoxy Resin  
 Safety Valve — EPDR  
 Terminal — Copper  
 Separator — Fibre Glass  
 Electrolyte — Sulphuric acid

Sealed and maintenance free option

Non-spillable construction design



Tel +44 (0) 151 523 2777  
 Fax +44 (0) 151 523 0855  
 E-mail info@ultracell.co.uk  
 Web www.ultracell.co.uk

# UL 7 - 12

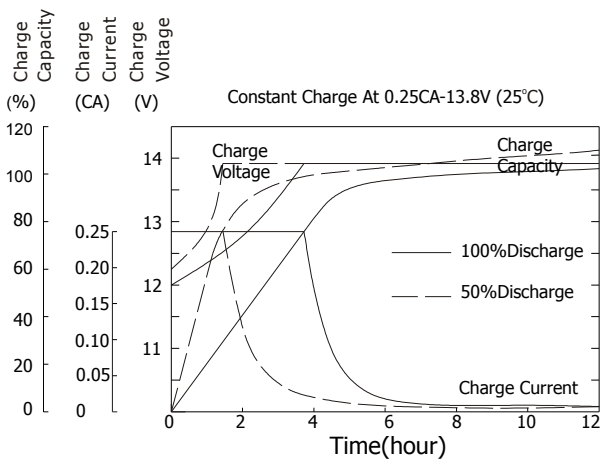
## 12V 7AH

### STANDBY

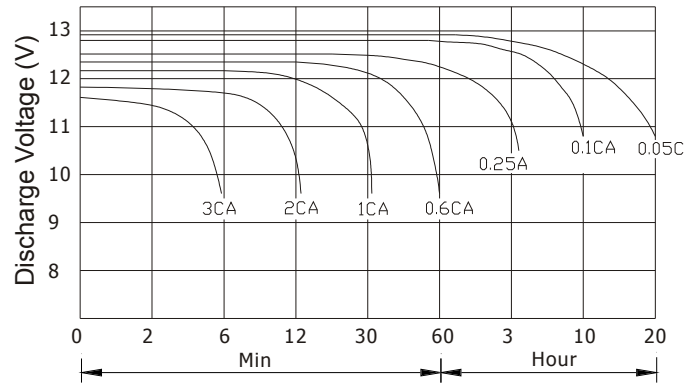
# Ultracell®

'Quality in Every Language'

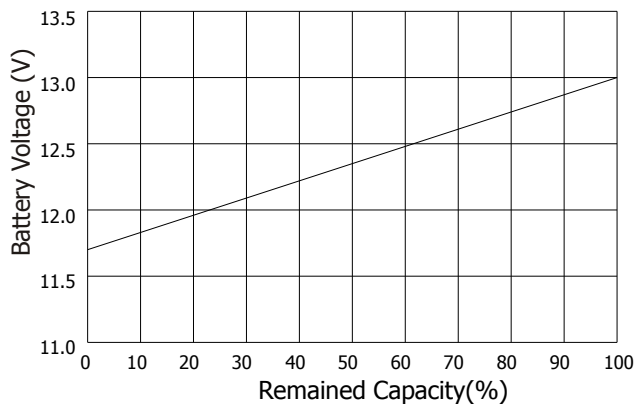
### Charge Characteristic



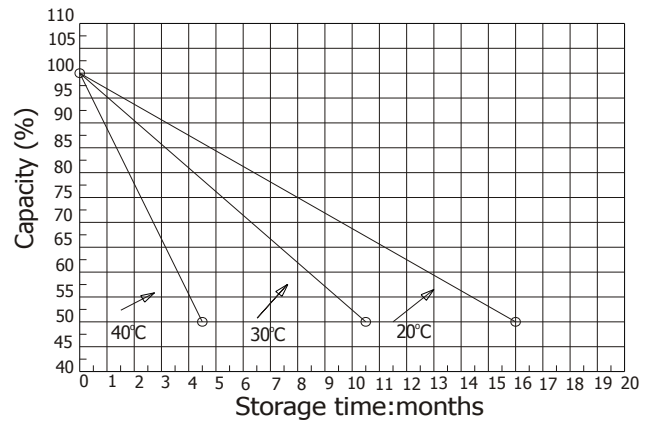
### Discharge Characteristic 25°C



### Relationship of OCV and state of charge



### Self Discharge Characteristics



### Constant Current Discharge Ratings - amperes at 25°C

| F.V / Time | 5 MIN | 10 MIN | 15 MIN | 30 MIN | 1 HR | 3 HR | 5 HR | 10 HR | 20 HR |
|------------|-------|--------|--------|--------|------|------|------|-------|-------|
| 1.60 V     | 27.6  | 16.9   | 12.8   | 7.83   | 4.20 | 2.18 | 1.29 | 0.71  | 0.39  |
| 1.67 V     | 25.6  | 16.2   | 12.4   | 7.50   | 4.16 | 1.85 | 1.26 | 0.70  | 0.37  |
| 1.70 V     | 23.7  | 15.5   | 12.0   | 6.80   | 4.00 | 1.75 | 1.23 | 0.67  | 0.36  |
| 1.75 V     | 23.4  | 15.1   | 11.7   | 6.48   | 3.92 | 1.70 | 1.19 | 0.67  | 0.35  |
| 1.80 V     | 20.7  | 14.4   | 10.6   | 6.00   | 3.65 | 1.67 | 1.18 | 0.67  | 0.35  |
| 1.85 V     | 18.3  | 13.7   | 9.49   | 5.50   | 3.54 | 1.64 | 1.18 | 0.52  | 0.35  |

### Constant Power Discharge Ratings - watts at 25°C

| F.V / Time | 5 MIN | 10 MIN | 15 MIN | 30 MIN | 1 HR | 3 HR | 5 HR | 10 HR | 20 HR |
|------------|-------|--------|--------|--------|------|------|------|-------|-------|
| 1.60 V     | 56.0  | 36.4   | 28.0   | 16.2   | 9.10 | 3.54 | 2.41 | 1.36  | 0.71  |
| 1.67 V     | 54.2  | 35.6   | 27.6   | 16.0   | 9.00 | 3.53 | 2.40 | 1.36  | 0.71  |
| 1.70 V     | 51.9  | 35.0   | 26.9   | 15.7   | 8.90 | 3.50 | 2.39 | 1.35  | 0.70  |
| 1.75 V     | 48.9  | 33.6   | 26.0   | 15.3   | 8.77 | 3.47 | 2.38 | 1.34  | 0.70  |
| 1.80 V     | 42.4  | 31.1   | 24.9   | 14.8   | 8.48 | 3.42 | 2.35 | 1.33  | 0.69  |
| 1.85 V     | 40.0  | 28.8   | 23.8   | 14.1   | 8.29 | 3.36 | 2.32 | 1.33  | 0.69  |



Tel +44 (0) 151 523 2777  
 Fax +44 (0) 151 523 0855  
 E-mail info@ultracell.co.uk  
 Web www.ultracell.co.uk